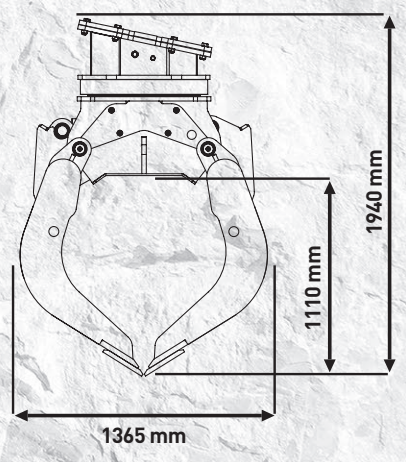
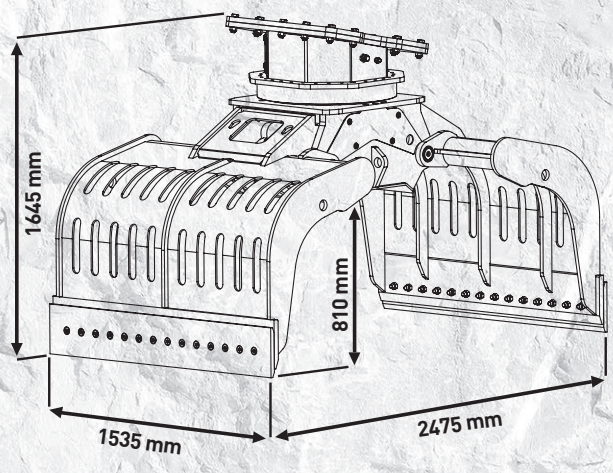
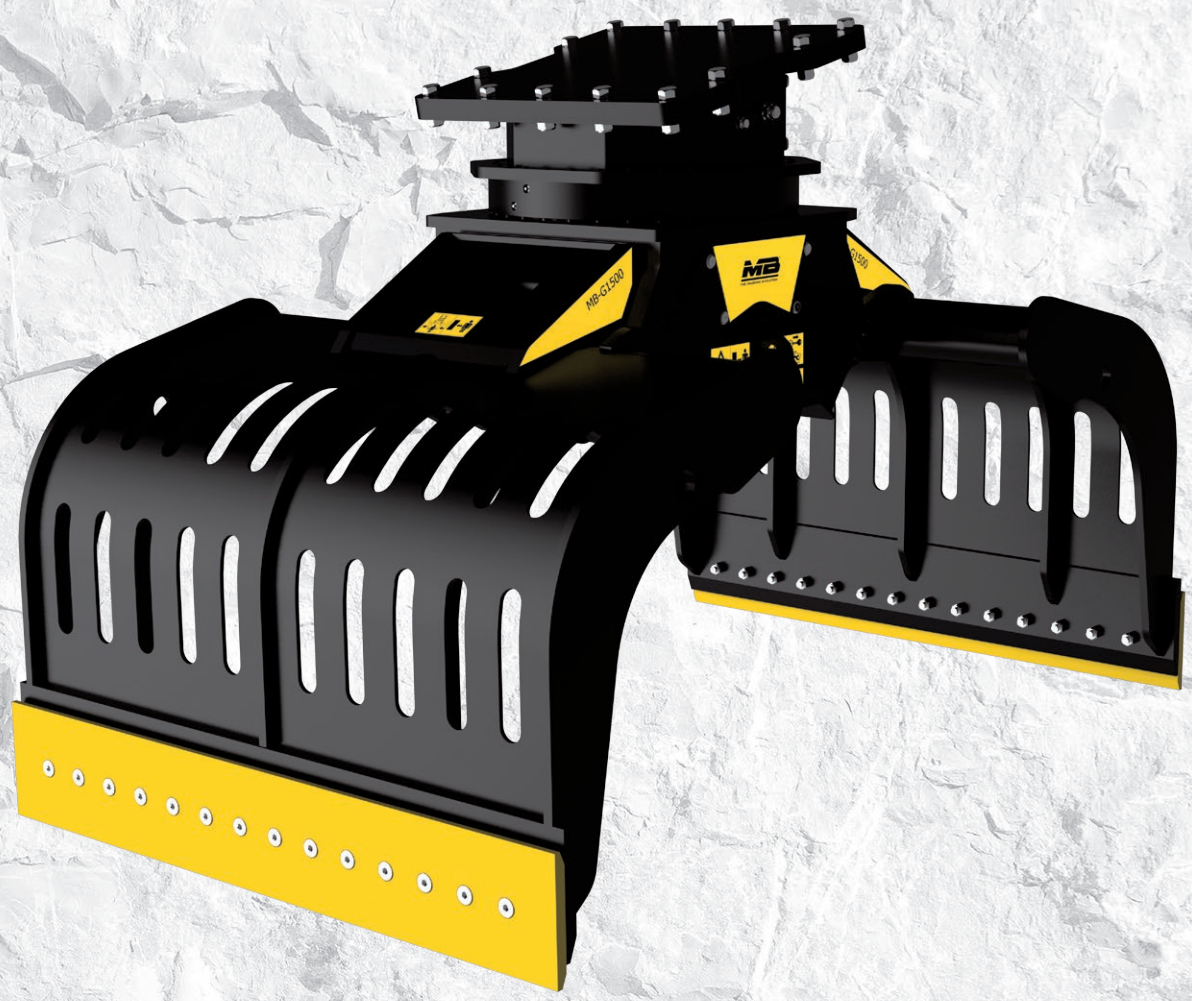


# MB-G1500





# “Handy, practical, **efficient**”



Designed for selecting and handling demolition materials and conceived according to the highest technological standards for any types of materials in a reliable way, with constance and total safety.

Thanks to the interchangeable claws and the 360° hydraulic rotation it allows you to handle large loads and odd forms.

## SPECIFICATIONS

RECOMMENDED EXCAVATOR	LOAD CAPACITY (CLAWS CLOSED)	FLOW DIRECTION	OIL FLOW (OPEN/CLOSE)
≥ 20 ≤ 25 Ton	1,43 m³ / 1430 L	25 ÷ 40 l/min.	50 l/min.
PRESSURE OF ROTATION	PRESSURE (OPEN/CLOSE)	WEIGHT	ROTATION
200 bar	300 ÷ 400 bar	2 Ton	360°

## ACCESSORIES

RECOMMENDED SPARE PARTS KIT	FIXED COUPLER	QUICK FEMALE COUPLER	24 MONTHS WARRANTY
MBG150008	FCG121500	MBG121500	WA241500

The data provided above is not binding, as the manufacturer reserves itself the right to make improvements to its products at any time and with no advance notice. References to excavator weights are approximate and many may be subject to changes. Consider a 20% tolerance.